

- COMPACT DESIGN
- FITS IN A 20FT CONTAINER
- FIELD PROVEN
- VALUE FOR MONEY



**MAGNATECH**

WELDING TRACTOR, MODEL WT1104C



## GENERAL

---

ENGINE TYPE/MODEL:	Perkins Diesel, 4 stroke, model 1104D-44T
POWER RATING ISO:	83/61 (HP/kW)
MAX. TORQUE:	345 Nm at 1400 RPM
TOTAL WEIGHT:	7,350 KGS (as displayed)
CE STANDARDS ADOPTED:	2003/37/EG & EMC 2004/108/EG
FUEL TANK CAPACITY:	90 liters

## CRANE

---

TYPE/MODEL:	HIAB 044D-3 CLX
SLEWING ANGLE:	330°
OUTREACH MAX.:	7.7m
LOAD CAPACITY:	500kg at 4m working distance*
STANDARDS ADOPTED:	98/37/EC, 89/336/EC, EN 12999:2002



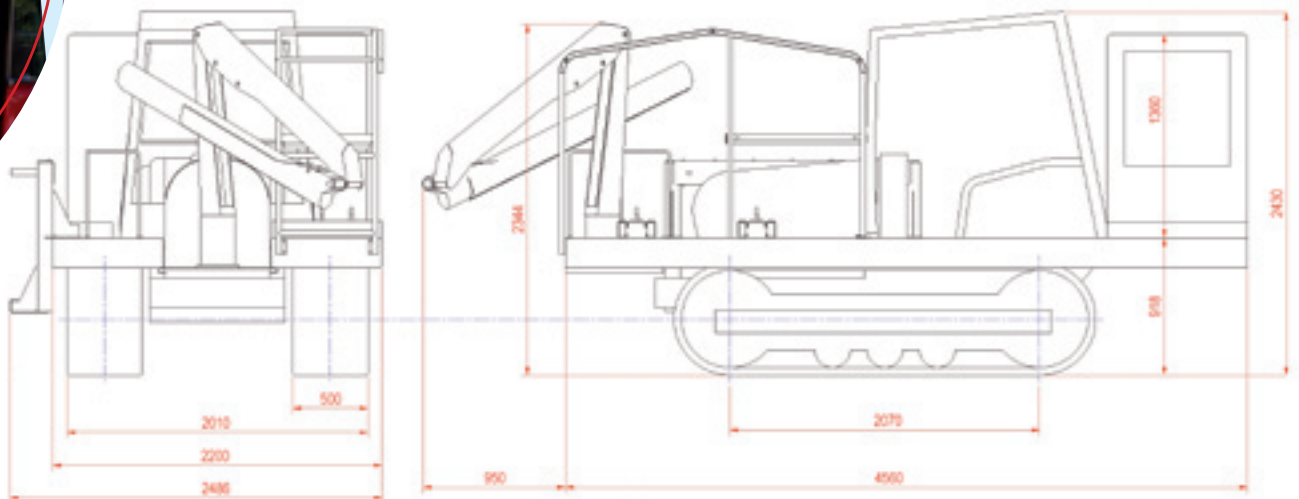
\* Distance between side of tractor and center of pipe

## GENERATOR

MODEL (STANDARD):	Pols, HYW-35 Soundproof
KVA:	31 (continuous service)
VOLT:	400/230
HZ:	50
ENGINE TYPE/MODEL:	Yanmar Diesel, 4-stroke, model 4TNV98
ALTERNATOR:	STAMFORD (BCI 184G)
STANDARDS ADOPTED:	98/37/EC, 89/336/EEC, EN12100, EN294, EN60204
BOUNDED FUEL TANK:	200 liters

## OPTIONS

- Closed cabin
- Air-conditioning
- Special heating system – cold climate pack
- More options on request



**MAGNATECH**  
INTERNATIONAL BV

**[WWW.MAGNATECH-INTERNATIONAL.COM](http://WWW.MAGNATECH-INTERNATIONAL.COM)**

**T** +31 321 38 66 77 | **F** +31 321 31 41 65  
[info@magnatech-international.com](mailto:info@magnatech-international.com)